



STANDARD FOR HEADSTONES

KANDANGA CEMETERY
ASSOCIATION INC.

Honour & Reflection

A choice of

- FULL MONUMENTAL
- DESKTOP
- UPRIGHT
- GARDEN PIER

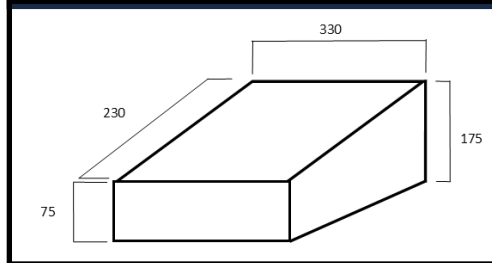
Headstones are available through Kandanga Cemetery Association.

With only a short consultation your style and colour of headstone can be chosen, together with your choice of size and type of font, etched or enamel photos or pictures.

Existing Headstones can also be etched.

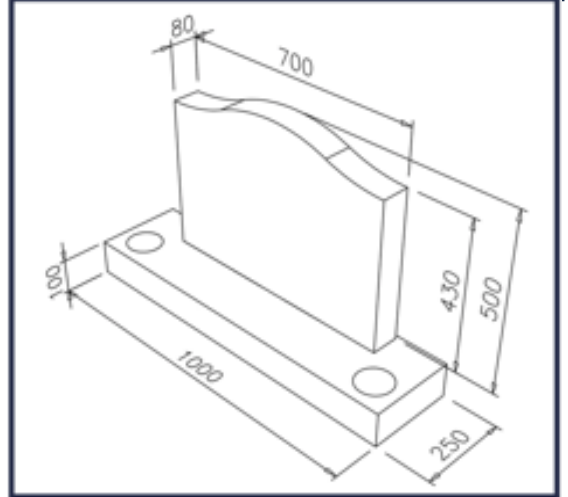
A "Memorial Request New Installation/Restoration" form must be completed prior to commencement of any works.

GARDEN PIER

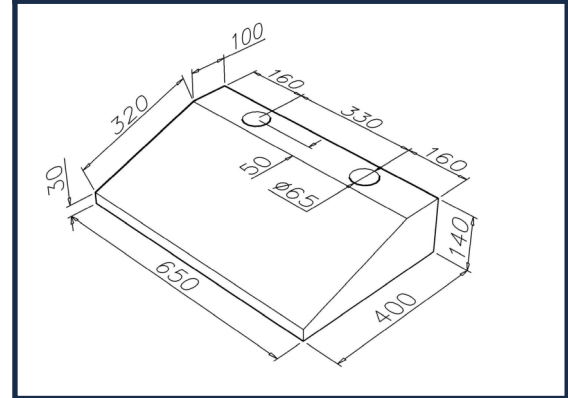


This garden pier is designed for Garden A & B near for front gate of the Cemetery. The garden pier is imbedded in the decorative stones and ashes placed underneath.

UPRIGHT HEADSTONE



DESKTOP HEADSTONE



This desktop can be placed on a granite or concrete base in section A or B only. The base is to measure 1200 x 600 x 90mm.

Style of Headstone permitted	Monumental Grave	Desktop Headstone	Upright Headstone	Garden Pier Headstone
Section A (Burial)	✓	✓	✓	
Desktop Lawn Section B (Burial)		✓		
Desktop Lawn Section C (Burial)		✓		
Upright Lawn Section D (Burial)			✓	
Garden C (Ashes)				✓

KANDANGA CEMETERY ASSOCIATION INC IS RECOGNIZED AS THE FORMAL MANGER OF THE KANDANGA CEMETERY AS IS STATED IN A MANAGEMENT AGREEMENT BETWEEN GYMPIE REGIONAL COUNCIL & THE ASSOCIATION.

Phone 07 5484 3302 | M 0438 843 195
Secretary @kandangacemetery.com.au

www.kandangacemetery.com.au

PO Box 102
46 Main Street
KANDANGA QLD 4570

ABN 16 004 749 434